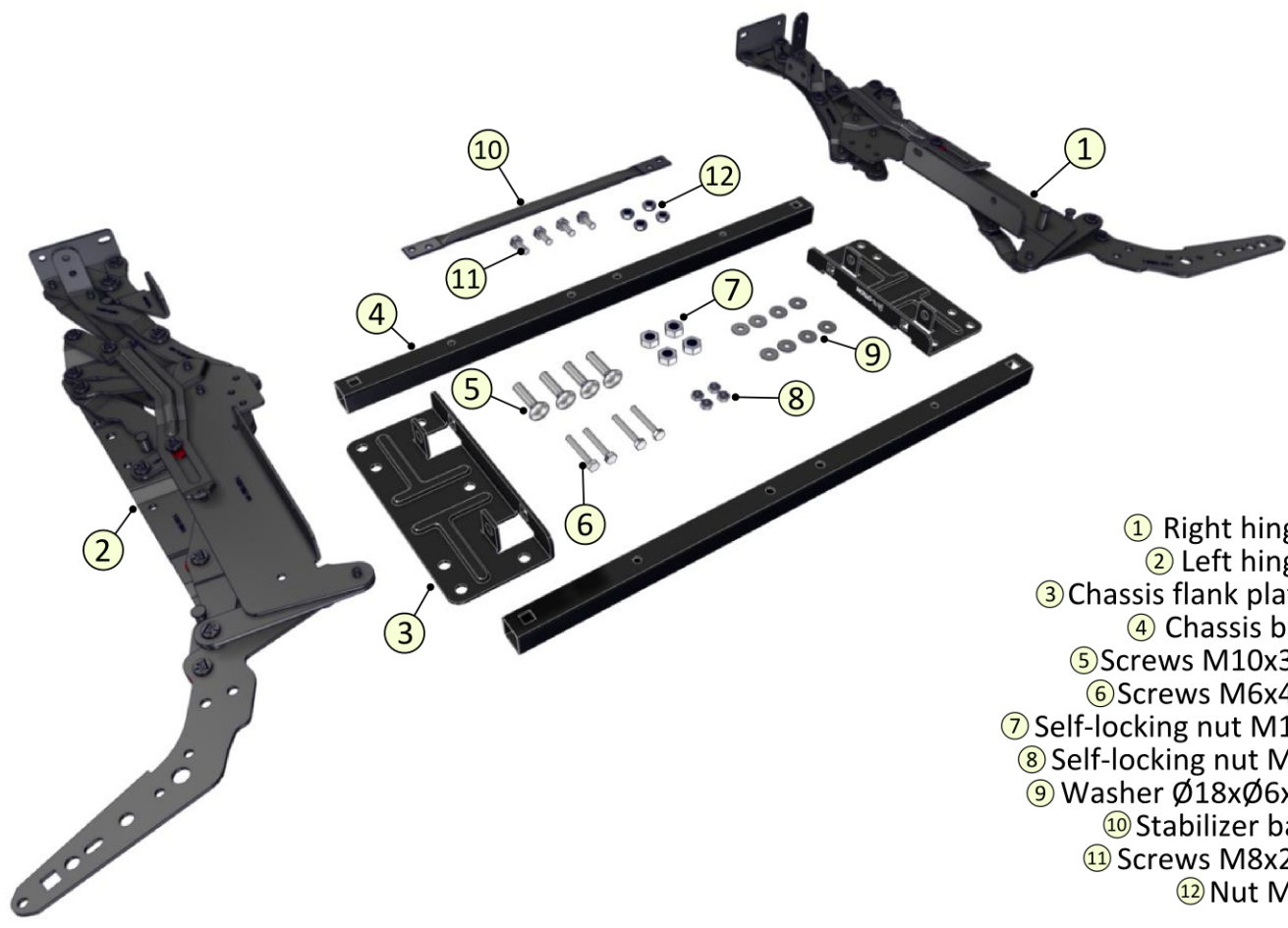
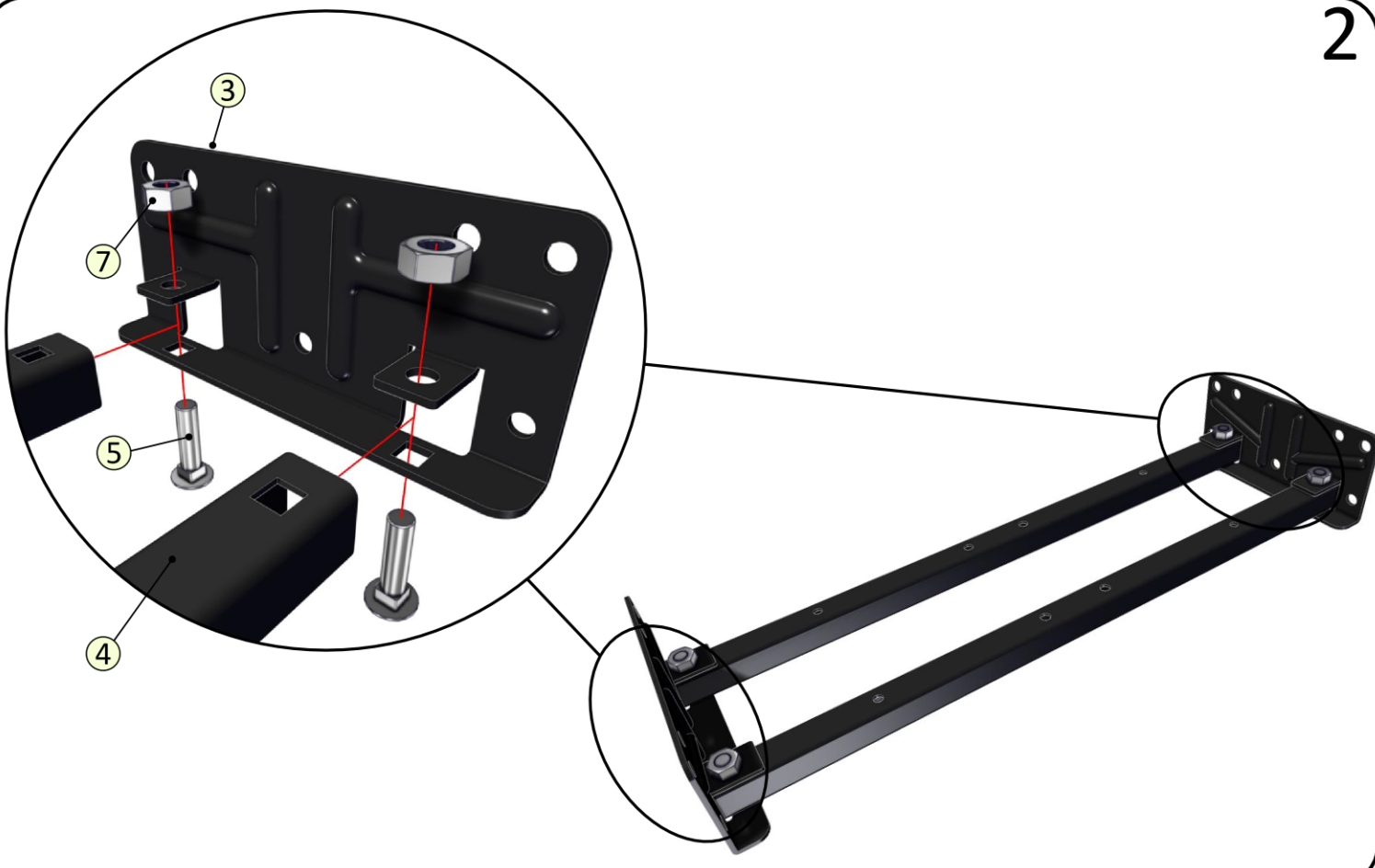


## 1

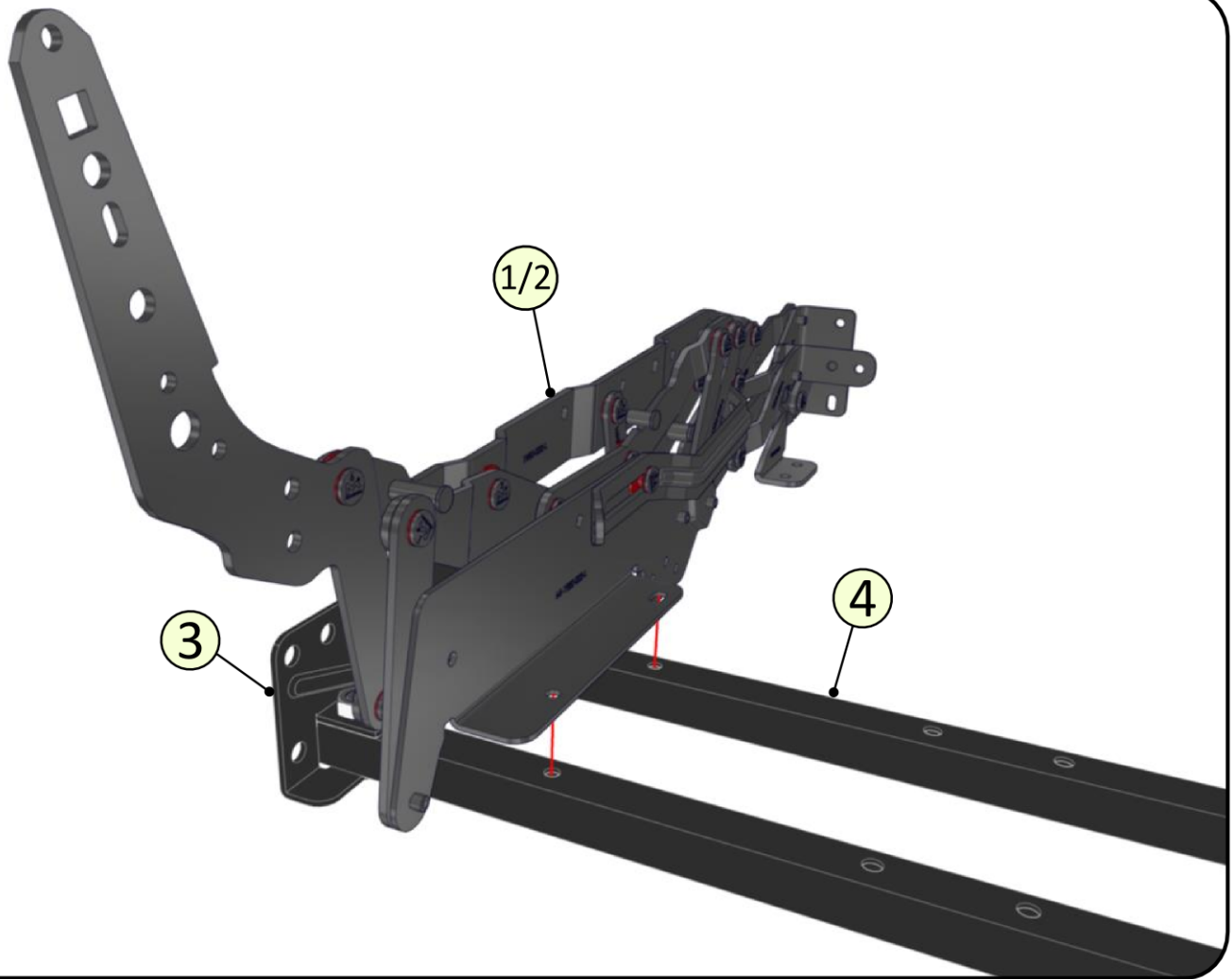


- ① Right hinge 1x
- ② Left hinge 1x
- ③ Chassis flank plate 2x
- ④ Chassis bar 2x
- ⑤ Screws M10x34 4X
- ⑥ Screws M6x40 4X
- ⑦ Self-locking nut M10 4X
- ⑧ Self-locking nut M6 4X
- ⑨ Washer Ø18xØ6x1 8X
- ⑩ Stabilizer bar 1X
- ⑪ Screws M8x20 4X
- ⑫ Nut M8 4X

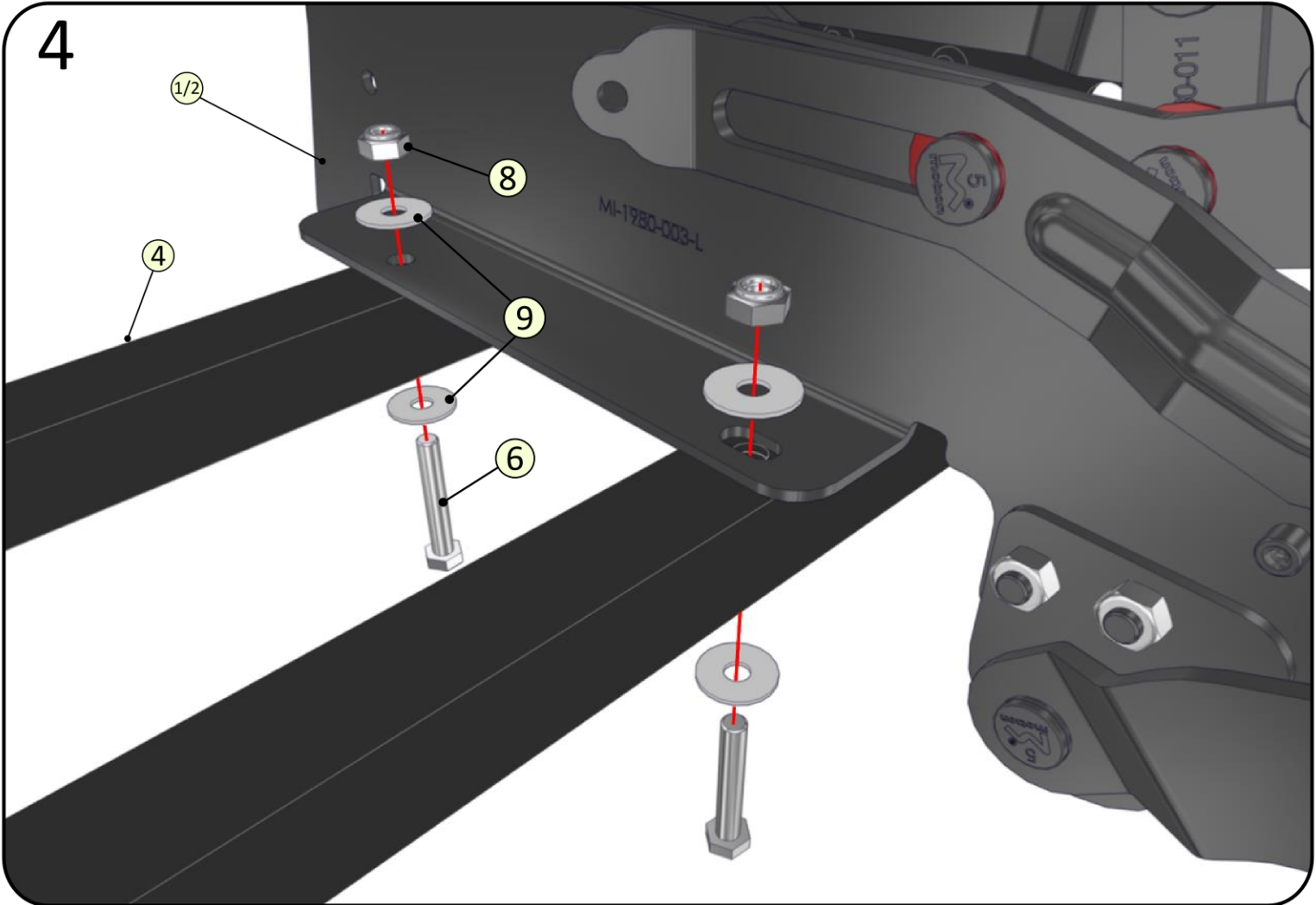
## 2



3



4



# Stabilizer bar's assembly instructions

