

®

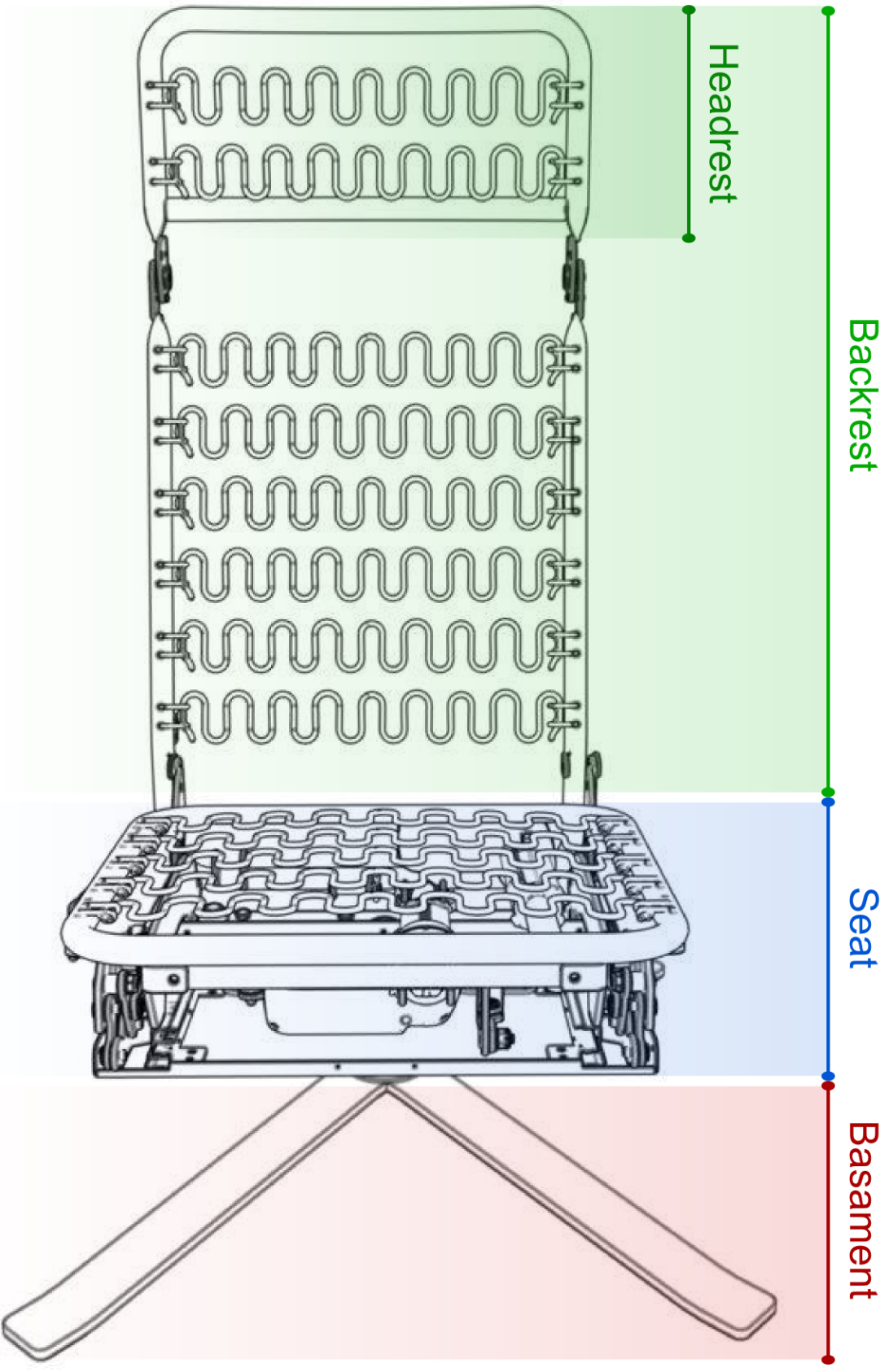


motion



OPLA'

relax mechanism

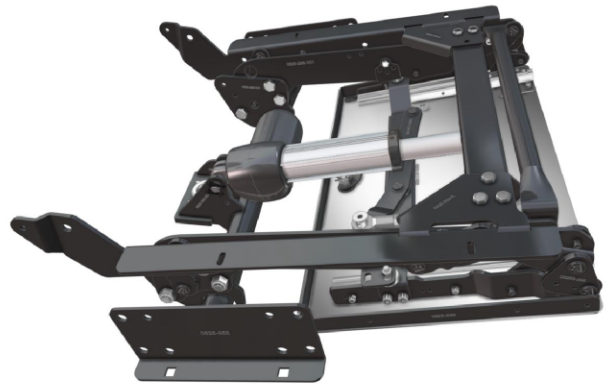


SEAT OPTION

MANUAL seat
Cod: ME8820825002



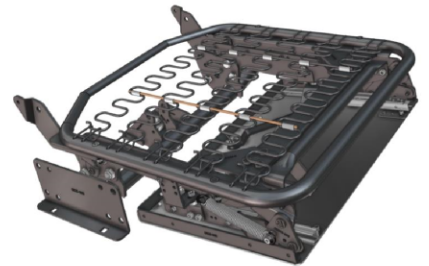
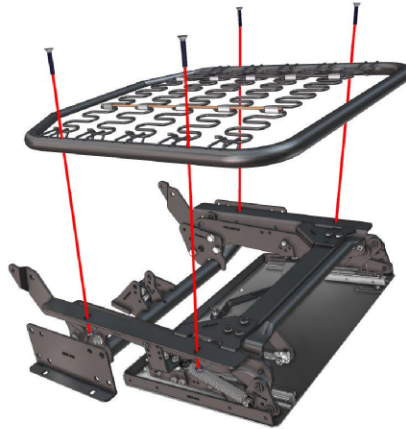
MOTORIZED seat
Cod: ME8820825004
(ME8820825003 + KE333MOAC3116)



OPTIONAL



Seat frame
Cod: ME2520825001



BACKREST OPTIONS



Backrest with elastic belts
and OKE profiles
Cod: ME8810825003



Backrest with elastic belts
Cod: ME8810825004



Backrest with NOSAG
springs
Cod: ME8810825001

BACKREST MOVEMENT OPTIONS



Actuator
Cod: KE333MOAC3117

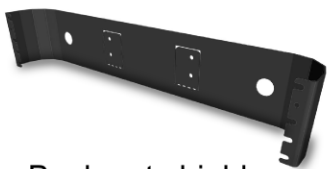


Gas piston kit
Cod: KM4140004+ME5250029+ME4480014

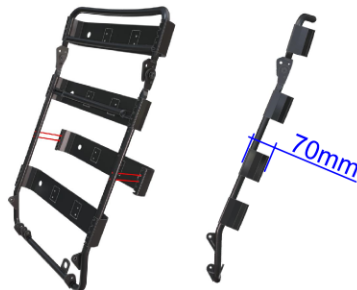


Synchronization kit
Cod: KE7470825001

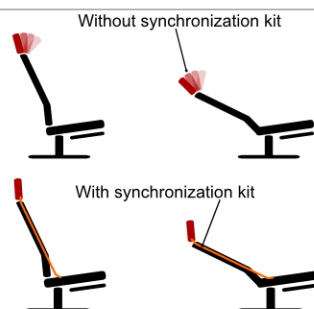
OPTIONAL



Backrest shield
(Standard furniture 4pz)
Cod: ME1610011
(The code includes 1pz)



Headrest
synchronization kit
Cod: KM7470825003



RICAMBI



OKE profiles
Cod: PROT02212



Elastic belts
Cod: MS69600005



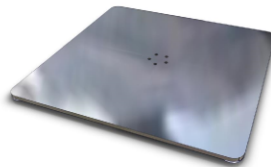
NOSAG springs
Cod: MS69600004

BASEMENT OPTIONS

ME6670026
Ø 58cm
satin



ME6670030
L=55cm
Chromed



ME6670033
Ø 58cm
Chromed



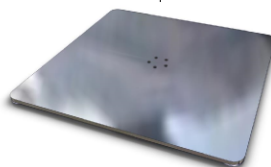
ME6670055
Ø 55cm
satin



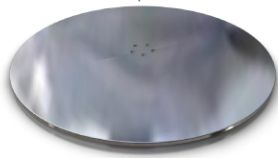
ME6670034
Ø 38cm
satin



ME6670031
Ø 35cm
Chromed



ME6670035
Ø 38cm
Chromed



ME6670032
Ø 35cm
satin



PILLAR OPTIONS



ME6770047
H=135mm



ME6770049V01
H=150mm

ME6670022
Ø 60cm
Flat
Rough wood



ME6670021
Ø 60cm
Rounded
Rough wood



PILLAR OPTIONS



ME6770053
H=80mm



ME6770047
H=135mm



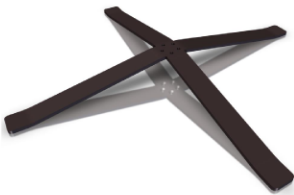
ME6770049V01
H=150mm

OPTIONAL



Flanges kit
ME6770054

ME6670060
H=60cm
anthracite



PILLAR OPTIONS



ME6770053
H=80mm



ME6770047
H=135mm



ME6770049V01
H=150mm

ME6670062
Ø 76cm
Satin Nikel



PILLAR



ME6770056
H=180mm

